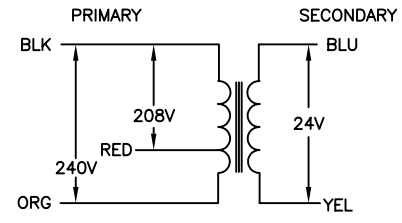
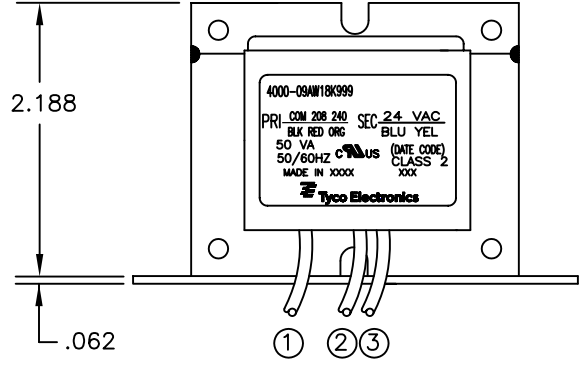
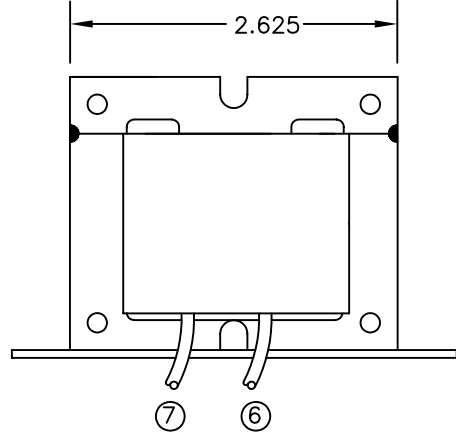
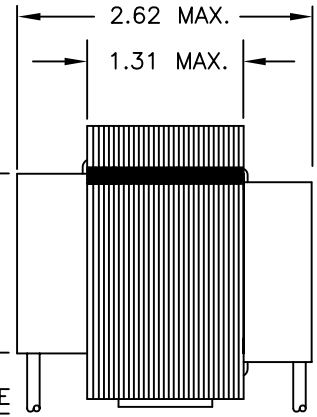
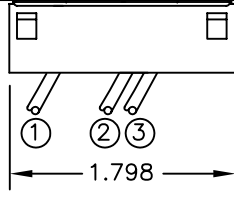
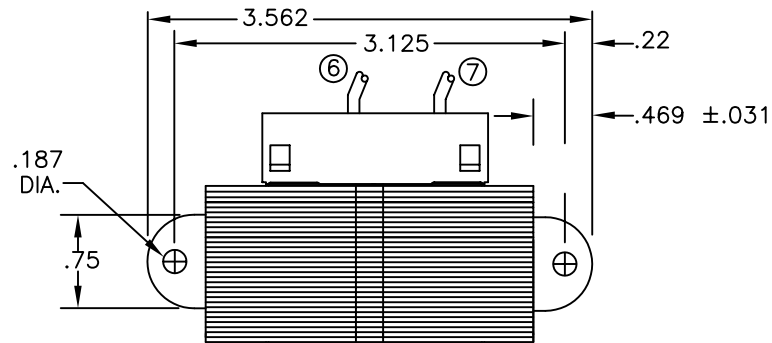


THIS DRAWING IS UNPUBLISHED. RELEASED FOR PUBLICATION
 © COPYRIGHT - BY TYCO ELECTRONICS CORPORATION. ALL RIGHTS RESERVED.

LOC		DIST		REVISIONS					
GZ		00		P	LTR	DESCRIPTION	DATE	DWN	APVD
				C		ECR-07-023847	10OCT07	KH	HT

ALL LEADS 18AWG--UNLESS OTHERWISE SPECIFIED						NOTES				CERTIFICATION: UL/CUL FILE NO. E87824			
PRIMARY						1. DIMENSIONS FOR REFERENCE ONLY.				SECONDARY			
2. ALL LEADS +1"/-0" TOL.						3. STRIP TOL. ±1/32				4. WINDING PROTECTION--INHERENTLY LIMITING			
LEAD NO.	1	2	3	4	5	LEAD NO.	6	7	8	9			
VOLTAGE	COM	208	240			VOLTAGE	24	VAC					
COLOR	BLK	RED	ORG			COLOR	BLU	YEL					
LENGTH	12.0	12.0	12.0			LENGTH	12.0	12.0					
STRIP LENGTH	.50	.50	.50			STRIP LENGTH	.50	.50					



TYCO ELECTRONICS PART NUMBER
8-1611461-1

THIS DRAWING IS A CONTROLLED DOCUMENT.		DWN	K.H.	20JAN03	Tyco Electronics Corporation Harrisburg, PA 17105-3608
DIMENSIONS: INCHES		CHK	DH	20JAN03	
TOLERANCES UNLESS OTHERWISE SPECIFIED:		APVD	HT	20JAN03	
0 PLC ± - 1 PLC ± - 2 PLC ± .01 3 PLC ± .005 4 PLC ± - ANGLES ± -		NAME		PRODUCT SPEC	
MATERIAL		FINISH		APPLICATION SPEC	TRANSFORMER OUTLINE STOCK MODEL
		SIZE	A3	CAGE CODE	00779
		DRAWING NO	C=4000-09AW18K999		RESTRICTED TO
CUSTOMER DRAWING		SCALE	1:1	SHEET	1 OF 1
		REV	C		